

<b>SUBMITTAL DATA SHEET</b>	<b>CH-60LCFCI</b>	<b>CH-60LCUO</b>
-----------------------------	-------------------	------------------

Job Name: .....  
 Location: .....  
 Engineer: .....  
 Submitted to: .....  
 Submitted by: .....  
 Reference: .....

Date: .....  
 Approval: .....  
 Construction: .....  
 Unit #: .....  
 Drawing #: .....



**LIMITED WARRANTY**  
**7 YEAR COMPRESSOR**  
**5 YEAR PARTS**

This warranty should be registered on our web-site [www.cooperandhunter.us](http://www.cooperandhunter.us) within 60 days of installation. The warranty is only valid when installed by a Licensed HVAC Technician. A warranty period of Seven (7) years on compressor to the original registered end-user. A warranty period of Five (5) years on all parts to the original registered end user. Warranty applies only to products remaining in their original installation location.

### INDOOR SPECIFICATION

Air Flow (Hi/Mi/Lo)	1385/102/207 CFM
Noise Level (Hi/Mi/Lo)	55/39/50 dB(A)
Unit Dimension (WxDxH)	64.96/26.57/9.25 in
Net/Gross Weight	101.2/110 lb

### OUTDOOR SPECIFICATION

Air flow	4470 CFM
Noise Level	65 dB(A)
Dimension (WxDxH)	37.48x16.34x52.48 in
Net/Gross weight	224.9/254.4 lb
Refrigerant type/Quantity	R410A/163 oz
Refrigerant precharge	25 ft
Additional charge for each ft	0.32 oz

### PERFORMANCE AND EFFICIENCY

Cooling		Heating	
54,000 Btu/h		60,000 Btu/h	
SEER	18	HSPF	10.5
EER	9.8	Region IV	

Heating/Cooling	Outdoor Dry Bulb	Indoor Dry Bulb	Unit	Min	Rated	Max
Heating	5°F	70°F	Btu/h	2,753	-	33,205
			kW	1.04	-	5.24
			COP	0.78	-	1.86
	17°F	70°F	Btu/h	5,708	39,000	39,128
			kW	1.07	4.4	5.1
			COP	1.56	2.6	2.25
47°F	70°F	Btu/h	12,705	60,000	61,098	
		kW	0.7	5.57	5.47	
		COP	5.32	3.16	3.27	
Cooling	82°F	80°F	Btu/h	13,652	-	56,106
			kW	0.53	-	4.74
			COP	7.55	-	3.47
	95°F	80°F	Btu/h	16,251	54,000	54,100
			kW	1.14	5.51	5.53
			COP	4.18	2.87	2.87

### OPERATION TEMPERATURE RANGE

Indoor		Outdoor	
cooling	heating	cooling	heating
62~90°F	32~86°F	5~122°F	5~86°F

### ELECTRICAL

	Power supply	208-230V/ 60Hz, 1Ph
	MCA	36
	MFA	50
Outdoor fan motor	Input	126 W
	RLA	0.39 A
Compressor	Capacity	44,697 Btu/h
	Input	3,420
	RLA	23.5

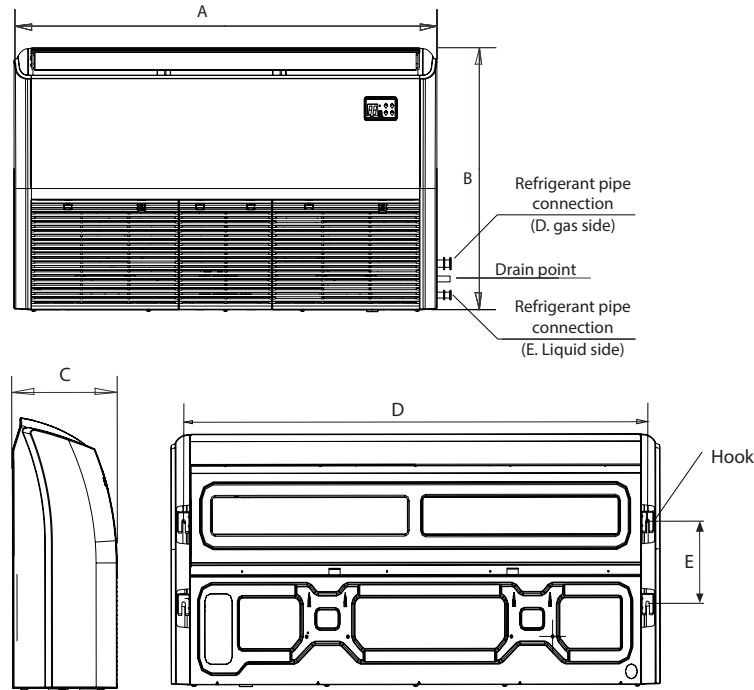
**MCA:** Minimum Circuit Ampacity    **MFA:** Max. fuse A    **RLA:** Rated Load

### PIPING

Refrigerant piping Liquid side/Gas side	3/8 - 3/4 in
Max. refrigerant pipe length	213 ft
Max. difference in level	98 ft

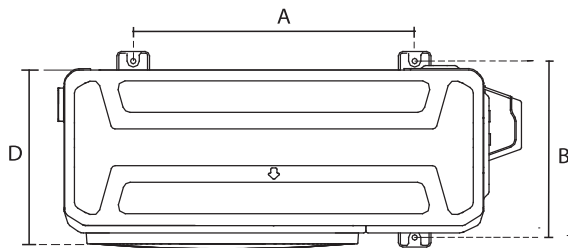
SUBMITTAL DATA SHEET	CH-60LCFCI	CH-60LCUO
----------------------	------------	-----------

### INDOOR UNIT



Unit Dimensions, in			Mounting Dimensions, in	
A	B	C	D	E
64.96	26.57	9.25	61.6	8.7

### OUTDOOR UNIT



Outdoor Unit Dimensions WxDxH	Mounting Dimensions	
	Distance A	Distance B
37.5x16.34x52.5	24.96	15.9

