

| | | |
|-----------------------------|--------------------------|-----------------------|
| SUBMITTAL DATA SHEET | CH-18MSPHFC-230VI | CH-18SPH-230VO |
|-----------------------------|--------------------------|-----------------------|

Job Name:
 Location:
 Engineer:
 Submitted to:
 Submitted by:
 Reference:

Date:
 Approval:
 Construction:
 Unit #:
 Drawing #:



This warranty should be registered on our web-site www.cooperandhunter.us within 60 days of installation. The warranty is only valid when installed by a Licensed HVAC Technician. A warranty period of Seven (7) years on compressor to the original registered end-user. A warranty period of Five (5) years on all parts to the original registered end user. Warranty applies only to products remaining in their original installation location.

| Heating/ Cooling | Outdoor Dry Bulb | Indoor Dry Bulb | Unit | Min | Rated | Max |
|---------------------|---------------------|--------------------|-------|-------|--------|--------|
| Heating | 5°F | 70°F | Btu/h | 2,640 | - | 10,508 |
| | | | kW | 0.52 | - | 1.59 |
| | | | COP | 1.49 | - | 1.94 |
| | 17°F | 70°F | Btu/h | 2,780 | 12,000 | 12,709 |
| | | | kW | 0.46 | 1.3 | 1.66 |
| | | | COP | 1.77 | 2.71 | 2.24 |
| | 47°F | 70°F | Btu/h | 7,441 | 18,000 | 18,510 |
| | | | kW | 0.47 | 1.55 | 1.72 |
| | | | COP | 4.64 | 3.4 | 3.15 |
| Cooling | 82°F | 80°F | Btu/h | 1,690 | - | 17,900 |
| | | | kW | 0.22 | - | 1.23 |
| | | | COP | 2.25 | - | 4.27 |
| | 95°F | 80°F | Btu/h | 7,349 | 18,000 | 18,100 |
| | | | kW | 0.46 | 1.44 | 1.55 |
| | | | COP | 4.68 | 3.66 | 3.42 |

INDOOR SPECIFICATION

| | |
|------------------------|---------------------|
| Air Flow (Hi/Mi/Lo) | 578/521/465 CFM |
| Noise Level (Hi/Mi/Lo) | 47/44/39 dB(A) |
| Unit Dimension (WxDxH) | 42.05x26.57x9.25 in |
| Net/Gross Weight | 55.12/65.48 lb |

OUTDOOR SPECIFICATION

| | |
|-------------------------------|----------------------|
| Air flow | 1470 CFM |
| Noise Level | 60 dB(A) |
| Dimension (WxDxH) | 33.27x14.29x27.64 in |
| Net/Gross weight | 106.9/112.5 lb |
| Refrigerant type/Quantity | R410A/68.8 oz |
| Refrigerant precharge | 25 ft |
| Additional charge for each ft | 0.16 oz |

PERFORMANCE AND EFFICIENCY

| Cooling | | Heating | |
|--------------|------|-------------------|------|
| 18,000 Btu/h | | 18,000 Btu/h | |
| SEER | 20 | HSPF Region IV | 10.5 |
| EER | 12.5 | | |

OPERATION TEMPERATURE RANGE

| Indoor | | Outdoor | |
|---------|---------|-----------|----------|
| cooling | heating | cooling | heating |
| 62~90°F | 32~86°F | -13~122°F | -13~86°F |

ELECTRICAL

| | |
|--------------|---------------------|
| Power supply | 208-230V/ 60Hz, 1Ph |
| MCA | 15 A |
| MFA | 20 A |

MCA: Minimum Circuit Ampacity **MFA:** Max. fuse A

PIPING

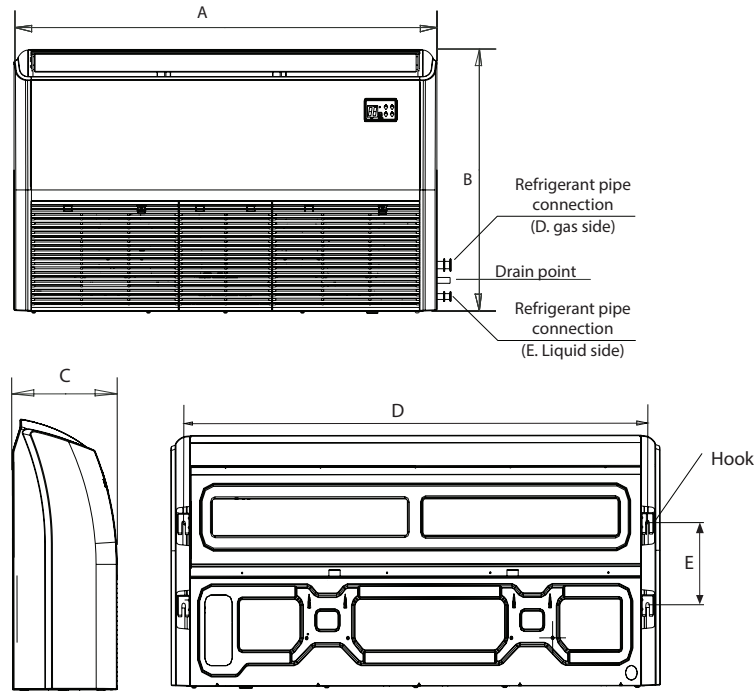
| | |
|---|--------------|
| Refrigerant piping Liquid side/Gas side | 1/4 - 1/2 in |
| Max. refrigerant pipe length | 98 ft |
| Max. difference in level | 66 ft |

SUBMITTAL DATA SHEET

CH-18MSPHCT-230VI

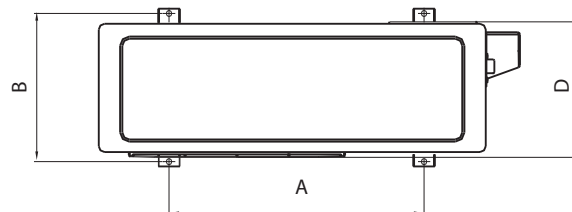
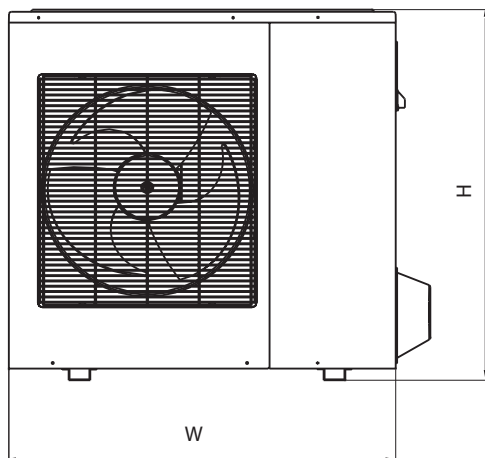
CH-18SPH-230VO

INDOOR UNIT



| Unit Dimensions, in | | | Mounting Dimensions, in | |
|---------------------|-------|------|-------------------------|-----|
| A | B | C | D | E |
| 42.05 | 26.57 | 9.25 | 38.7 | 8.7 |

OUTDOOR UNIT



| Outdoor Unit Dimensions WxDxH | Mounting Dimensions | |
|----------------------------------|---------------------|------------|
| | Distance A | Distance B |
| 33.27x14.29x27.64 | 21.26 | 13.80 |