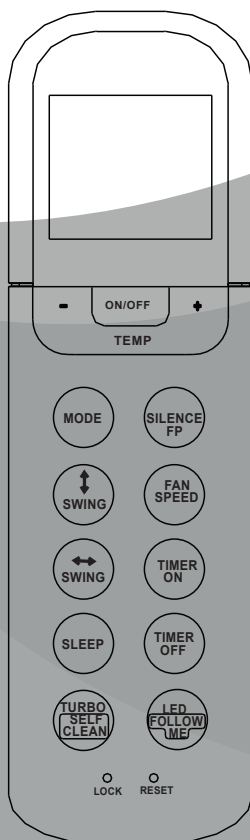


SOPHIA

HIGH-WALL DUCTLESS AIR CONDITIONING & HEATING SYSTEM

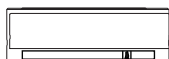
Quick-Start Guide



CONTENTS

Handling the remote controller	2
Remote controller Specifications.....	3
Function buttons	5
Indicators on LCD	7
How to use the buttons	8
Auto operation.....	8
Cooling/Heating/Fan operation.....	8
Dehumidifying operation	9
Adjusting air flow direction.....	9
Timer operation.....	10
SLEEP/FRESH function.....	13
LED/FOLLOW ME function	14
TURBO/SELF CLEAN function	14

Handling the remote controller



Location of the remote controller.

- Use the remote controller within a distance of 26,2ft (8 meters) from the appliance, pointing it towards the receiver. Reception is confirmed by a beep.

▲ CAUTIONS

- The air conditioner will not operate if curtains, doors or other materials block the signals from the remote controller to the indoor unit.
- Prevent any liquid from falling into the remote controller. Do not expose the remote controller to direct sunlight or heat.
- If the infrared signal receiver on the indoor unit is exposed to direct sunlight, the air conditioner may not function properly. Use curtains to prevent the sunlight from falling on the receiver.
- If other electrical appliances react to the remote controller, either move these appliances or consult your local dealer.

Replacing batteries

The remote controller is powered by two dry batteries(R03/LR03X2) housed in the rear part and protected by a cover.

- (1) Remove the cover by pressing and sliding off.
- (2) Remove the old batteries and insert the new batteries,placing the(+) and (-) ends correctly.
- (3) Reattach the cover by sliding it back into position.

NOTE: When the batteries are removed, the remote controller erases all programming. After inserting new batteries, the remote controller must be reprogrammed.

▲ CAUTIONS

- Do not mix old and new batteries or batteries of different types.
- Do not leave the batteries in the remote controller if they are not going to be used for 2 or 3 months.
- Do not dispose batteries as unsorted municipal waste. Collection of such waste separately for special treatment is necessary.

Remote Controller Specifications

Rated Voltage	3.0V(Dry batteries R03/LR03×2)
Signal Receiving Range	26,2ft (8m)
Environment	23°F~140°F

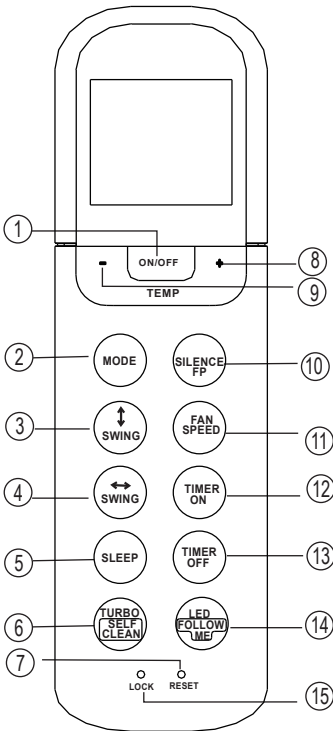
Performance Feature

1. Operating Mode: AUTO, COOL, DRY, HEAT(Cooling only model without), and FAN.
2. Timer Setting Function in 24 hours.
3. Indoor Setting Temperature Range: 62°F~86°F.
4. Full function of LCD (Liquid Crystal Display).

NOTE:

- Buttons design might be slightly different from the actual one you purchased depending on individual models.
- All the functions described are accomplished by the indoor unit. If the indoor unit has no this feature, there is no corresponding operation happened when press the relative button on the remote controller.

Function buttons



❶ ON/OFF Button

Operation starts when this button is pressed and stops when this button is pressed again.

❷ MODE Button

Each time the button is pressed, the operation mode is selected in a sequence of following:



NOTE: Heat mode is for Cooling & Heating models only.

❸ Swing ⇕ Button

Used to stop or start horizontal louver movement .

❹ Swing ⇄ Button

Used to stop or start vertical louver movement. When the vertical louver swing feature is activated, the display area of indoor unit displays 'IIII', flashes four times, then the temperature setting reverts back. If the vertical louver swing feature is stopped, it displays 'LC' and remains on for 3 seconds.

NOTE: For some units , the indoor units display 'ON' when the swing feature is activated, and display 'OFF' when the swing feature is stopped.

❺ SLEEP Button

Active/Disable SLEEP function.

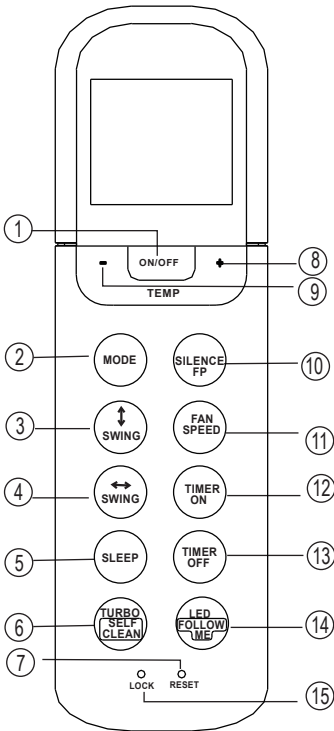
This function can maintain the most comfortable temperature and save energy. This function is available on COOL, HEAT or AUTO mode only . For the detail, see " Sleep operation" in " USER'S MANUAL".

NOTE: While the unit is running under SLEEP mode, it would be cancelled if press the MODE, FAN SPEED or ON/OFF button.

❻ TURBO/SELF CLEAN Button:

Active/Disable TURBO function. If pushing more than 2 seconds, the 'SELF CLEAN' function will be activated, pushing more than 2 seconds again to disable.

Function buttons



7 RESET Button:

When you press the recessed RESET button, all current settings are cancelled and the control will return to the initial settings.

8 UP Button(+)

Push this button to increase the indoor temperature setting in 1°F increments to 62°F.

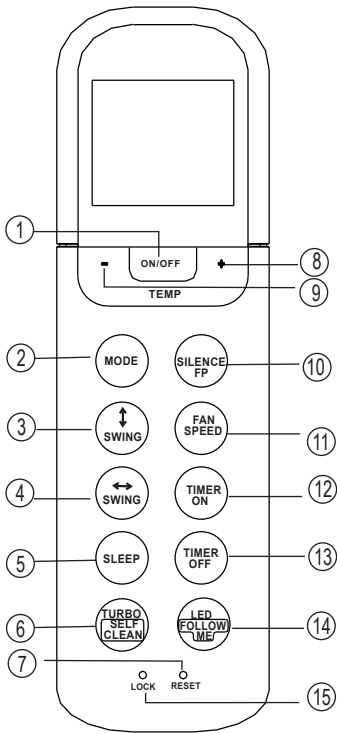
9 DOWN Button(-)

Push this button to decrease the indoor temperature setting in 1°F increments to 86°F.

NOTE: Press and hold UP and DOWN buttons together for 3 seconds will alternate the temperature display between the °C & °F scale.

10 SILENCE/FP Button

- Active/Disable SILENCE function.
- When the Silence function is activated, the compressor will operate at low frequency and the indoor unit will bring faint breeze, which will reduce the noise to the lowest level and create a quiet and comfortable room for you. Due to low frequency operation of compressor, it may result in insufficient cooling and heating capacity.
- During the heating operation(only when the setting mode is HEAT),If pushing this button more than 2 seconds, the FP function is activated. The unit will operate at high fan speed with the temperature automatically set to 8°C(46°F).The display window of indoor unit will display "FP". For the unit without display area, the Defrost indicator light will be keeping on for 2 seconds, and then be off for 2 seconds by turns. Press ON/OFF,SLEEP, FP,MODE, FAN SPEED,UP, DOWN button while operating will cancel the "FP" function.



11 FAN SPEED Button

Used to select the fan speed in four steps:

↳ AUTO → LOW → MED → HIGH

12 TIMER ON Button

Press this button to initiate the auto-on time sequence. Each press will increase the auto-timed setting in 30 minutes increments. When the setting time displays 10H, each press will increase the auto-timed setting 60 minutes increments. To cancel the auto-timed program, simply adjust the auto-on time to 0:0.

13 TIMER OFF Button

Press this button to initiate the auto-off time sequence. Each press will increase the auto-timed setting in 30 minutes increments. When the setting time displays 10H, each press will increase the auto-timed setting 60 minutes increments. To cancel the auto-timed program, simply adjust the auto-off time to 0:0

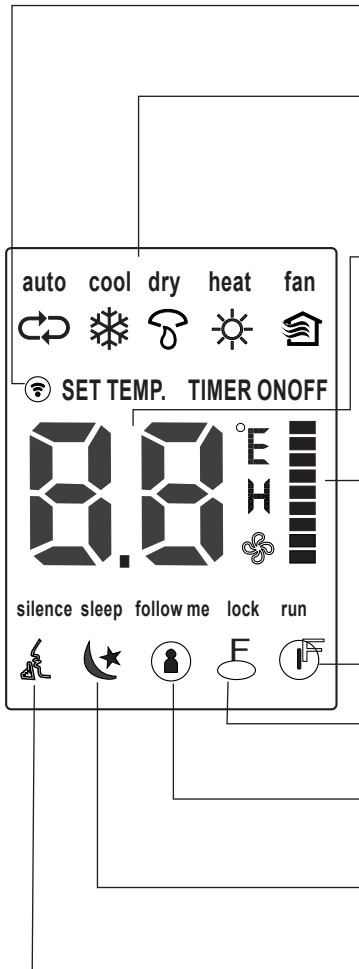
14 LED/FOLLOW ME Button

Disable/Active indoor screen Display. When pushing more than 2 seconds, the 'FOLLOW ME' function will be activated, pushing more than 2 seconds again to disable.

15 LOCK Button

When you press the recessed LOCK button, all current settings are locked in and the remote controller does not accept any operation except that of the LOCK. Press again to cancel the LOCK mode.

Indicators on LCD



Transmission Indicator

This transmission indicator lights when remote controller transmits signals to the indoor unit.

Mode display

Displays the current operation mode. Including auto(↻), cool(❄️), dry(💧), heat(☀️) (Not applicable to cooling only models), fan(🌀) and back to auto(↻).

Temp./Timer display

Displays the temperature setting(62°F~86°F). When you set the operating mode to FAN, no temperature setting is displayed. And if in the TIMER mode, shows the ON and OFF settings of the TIMER.

Fan speed display

Displays the selected fan speed, AUTO(no display) and three fan speed levels "■" (LOW) "■" (MED) "■" (HIGH) can be indicated. The fan speed is AUTO when the operating mode is either AUTO or DRY.

ON/OFF display

Displayed by pressing the ON/OFF button. Press the ON/OFF button again to remove.

Lock Display

Displayed when LOCK mode is activated.

FOLLOW ME Display

Displayed when FOLLOW ME function is activated.

Sleep Display

Displayed under sleeping operation. Press the SLEEP button again to remove.

Silence Display

Displayed when SILENCE function is activated.

Note:

All indicators shown in the figure are for the purpose of clear presentation. But during the actual operation only the relative functional signs are shown on the display window.

How to use the buttons

Auto operation

Ensure the unit is plugged in and power is available. The OPERATION indicator on the display panel of the indoor unit starts flashing.

1. Press the **MODE** button to select Auto.
2. Press the **UP/DOWN** button to set the desired temperature. The temperature can be set within a range of 62°F~86°F in 1°F increments.
3. Press the **ON/OFF** button to start the air conditioner.

NOTE

1. In the Auto mode, the air conditioner can logically choose the mode of Cooling, Fan, and Heating by sensing the difference between the actual ambient room temperature and the setting temperature on the remote controller.
2. In the Auto mode, you can not switch the fan speed. It has already been automatically controlled.
3. If the Auto mode is not comfortable for you, the desired mode can be selected manually.

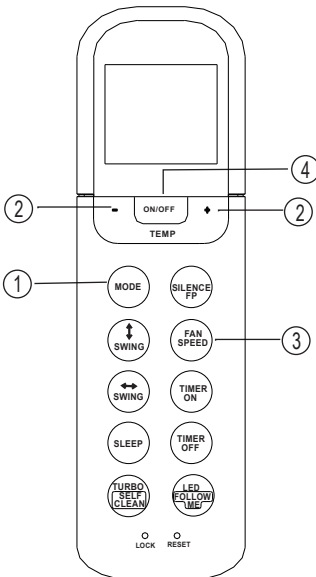
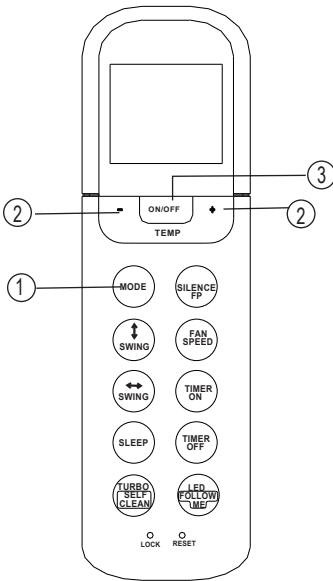
Cooling /Heating/Fan operation

Ensure the unit is plugged in and power is available.

1. Press the **MODE** button to select COOL, HEAT (cooling & heating models only) or FAN mode.
2. Press the **UP/DOWN** buttons to set the desired temperature. The temperature can be set within a range of 62°F~86°F in 1°F increments.
3. Press the **FAN** button to select the fan speed in four steps- Auto, Low, Med, or High.
4. Press the **ON/OFF** button to start the air conditioner.

NOTE

In the FAN mode, the setting temperature is not displayed in the remote controller and you are not able to control the room temperature either. In this case, only step 1, 3 and 4 may be performed.



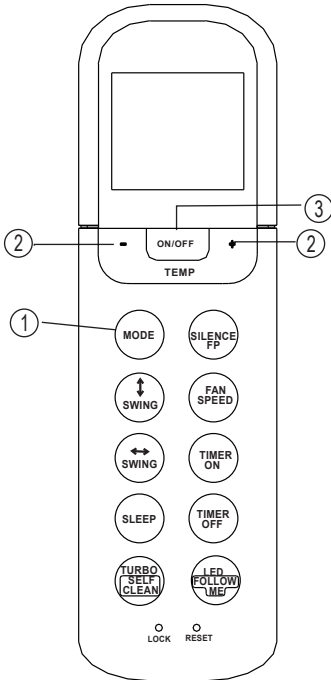
Dehumidifying operation

Ensure the unit is plugged in and power is available. The OPERATION indicator on the display panel of the indoor unit starts flashing.

1. Press the **MODE** button to select DRY mode.
2. Press the **UP/DOWN** buttons to set the desired temperature. The temperature can be set within a range of 62°F~86°F in 1°F increments.
3. Press the **ON/OFF** button to start the air conditioner.

NOTE

In the Dehumidifying mode, you can not switch the fan speed. It has already been automatically controlled.



Adjusting air flow direction

Use the SWING \updownarrow and SWING \leftrightarrow buttons to adjust the desired airflow direction.

1. When push the SWING \updownarrow button, the horizontal louver changes 6 degree in angle for each push. If pushing more than 2 seconds, the louver will automatically swing up and down.
2. When push the SWING \leftrightarrow button, the vertical louver changes 6 degree in angle for each push. If pushing more than 2 seconds, the louver will automatically swing left and right.

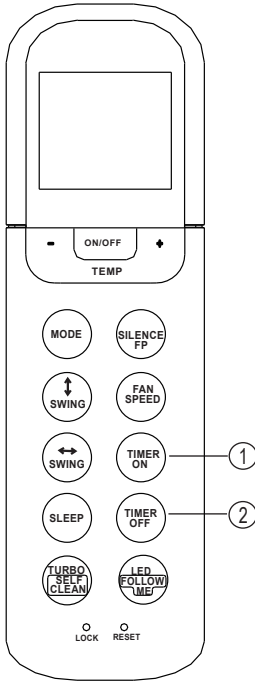
NOTE: When the horizontal/vertical louver swing or move to a position which would affect the cooling or heating effect of the air conditioner, it would automatically change the swing/moving direction.

Timer operation

Press the TIMER ON button can set the auto-on time of the unit. Press the TIMER OFF button can set the auto-off time of the unit.

To set the Auto-on time.

1. Press the TIMER ON button. The remote controller shows TIMER ON, the last Auto-on setting time and the signal "h" will be shown on the LCD display area. Now it is ready to reset the Auto-on time to START the operation.
2. Push the TIMER ON button again to set desired Auto-on time. Each time you press the button, the time increases by half an hour between 0 and 10 hours and by one hour between 10 and 24 hours.
3. After setting the TIMER ON ,there will be a one second delay before the remote controller transmits the signal to the air conditioner. Then, after approximately another 2 seconds, the signal "h" will disappear and the set temperature will re-appear on the LCD display window.



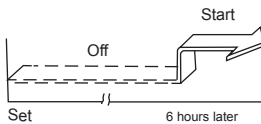
To set the Auto-off time.

1. Press the TIMER OFF button. The remote controller shows TIMER OFF, the last Auto-off setting time and the signal "h" will be shown on the LCD display area. Now it is ready to reset the Auto-off time to stop the operation.
2. Push the TIMER OFF button again to set desired Auto-off time. Each time you press the button, the time increases by half an hour between 0 and 10 hours and by one hour between 10 and 24 hours.
3. After setting the TIMER OFF ,there will be a one second delay before the remote controller transmits the signal to the air conditioner. Then, after approximately another 2 seconds, the signal "h" will disappear and the set temperature will re-appear on the LCD display window.

CAUTION

- The effective operation time set by the remote controller for the timer function is limited to the following settings: 0.5, 1.0, 1.5, 2.0, 2.5, 3.0, 3.5, 4.0, 4.5, 5.0, 5.5, 6.0, 6.5, 7.0, 7.5, 8.0, 8.5, 9.0, 9.5, 10, 11, 12, 13, 14, 15, 16, 17, 18, 19, 20, 21, 22, 23 and 24.

Example of timer setting



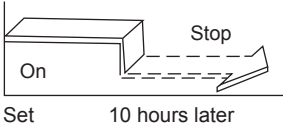
**TIMER ON
(Auto-on Operation)**

The TIMER ON feature is useful when you want the unit to turn on automatically before you return home. The air conditioner will automatically start operating at the set time.

Example:

To start the air conditioner in 6 hours.

1. Press the TIMER ON button, the last setting of starting operation time and the signal "h" will show on the display area.
2. Press the TIMER ON button to display "6:0h" on the TIMER ON display of the remote controller.
3. Wait for 3 seconds and the digital display area will show the temperature again. The "TIMER ON" indicator remains on and this function is activated.



TIMER OFF (Auto-off Operation)

The TIMER OFF feature is useful when you want the unit to turn off automatically after you go to bed. The air conditioner will stop automatically at the set time.

Example:

To stop the air conditioner in 10 hours.

1. Press the TIMER OFF button, the last setting of stopping operation time and the signal "h" will show on the display area.
2. Press the TIMER OFF button to display "10h" on the TIMER OFF display of the remote controller.
3. Wait for 3 seconds and the digital display area will show the temperature again. The "TIMER OFF" indicator remains on and this function is activated.

COMBINED TIMER

(Setting both ON and OFF timers simultaneously)

TIMER OFF → TIMER ON

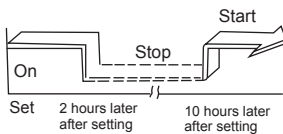
(On → Stop → Start operation)

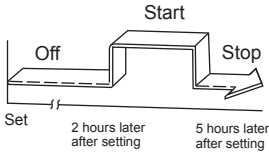
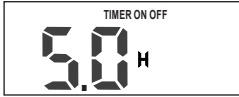
This feature is useful when you want to stop the air conditioner after you go to bed, and start it again in the morning when you wake up or when you return home.

Example:

To stop the air conditioner 2 hours after setting and start it again 10 hours after setting.

1. Press the TIMER OFF button.
2. Press the TIMER OFF button again to display 2.0h on the TIMER OFF display.
3. Press the TIMER ON button.
4. Press the TIMER ON button again to display 10h on the TIMER ON display .
5. Wait for 3 seconds and the digital display area will show the temperature again. The "TIMER ON OFF" indicator remains on and this function is activated.





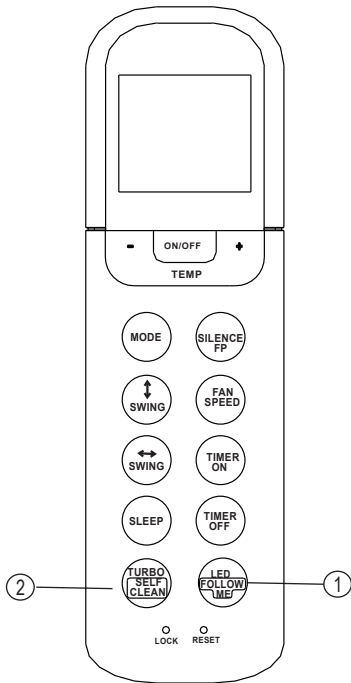
TIMER ON → TIMER OFF
(Off → Start → Stop operation)

This feature is useful when you want to start the air conditioner before you wake up and stop it after you leave the house.

Example:

To start the air conditioner 2 hours after setting, and stop it 5 hours after setting.

1. Press the TIMER ON button.
2. Press the TIMER ON button again to display 2.0h on the TIMER ON display.
3. Press the TIMER OFF button.
4. Press the TIMER OFF button again to display 5.0h on the TIMER OFF display .
5. Wait for 3 seconds and the digital display area will show the temperature again. The "TIMER ON OFF" indicator remains on and this function is activated.



LED/FOLLOW ME function

- Press this button less than 2nds will initiate LED function. And if keep pressing this button more than 2nds, the FOLLOW ME function is initiated.
- When the Follow Me function is activated, the remote display is actual temperature at its location. The remote control will send this signal to the air conditioner every 3 minutes interval until press the FOLLOW ME button again.
- The Follow Me function is not available under DRY and FAN mode.
- Switch the operation mode or turn off the unit will cancel the Follow Me function automatically.

TURBO/SELF CLEAN function

- Press this button less than 2nds will initiate TURBO function. And if keep pressing this button more than 2nds, the SELF CLEAN function is initiated.
- Turbo function enables the unit to reach the preset temperature at cooling or heating operation in the shortest time (if the indoor unit does not support this function, there is no corresponding operation happened when pressing this button.)
- Under SELF CLEAN mode, the air conditioner will automatically clean and dry the Evaporator and keep it as fresh for the next operation.

FAQs

Why does the fan continue to run even when the unit is not cooling or heating?

To maintain consistent temperatures and minimize energy-loss from constant starts and stops, the fan keeps air flowing past the thermostat.

What temperature is displayed on the remote controller?

The remote always displays your desired indoor temperature. (You may view current indoor and outdoor temperatures on the indoor unit's Front Panel Display.)

What happens if the remote is lost or damaged?

Use the Manual Override button to manually operate the unit. Lift up the front panel section on the indoor unit and locate the button right-hand side. Press the button to turn ON the unit. (Not all functions will be available.) Press again to cancel Manual Override Mode and transfer control back to the remote controller.

Not all features available on all models. Your actual air conditioning and heating system and related devices may differ from the images shown in this manual

For complete instructions on these and other functions, as well as important safety information, see the Owners Manual.

For more information, visit www.cooperandhunter.us

Specifications are subject to change without notice. Manufacturer reserves the right to discontinue, or change at any time, specifications or designs without notice or without incurring obligations. © 2016. All rights reserved.



CR149-RG36F1EU1
2020550A9223