


SUBMITTAL DATA SHEET	CH-D24MSPHWM-230VI	CH-24SPH-230VO
-----------------------------	---------------------------	-----------------------

Job Name:
 Location:
 Engineer:
 Submitted to:
 Submitted by:
 Reference:

Date:
 Approval:
 Construction:
 Unit #:
 Drawing #:





This warranty should be registered on our web-site www.cooperandhunter.us within 60 days of installation. The warranty is only valid when installed by a Licensed HVAC Technician. A warranty period of Seven (7) years on compressor to the original registered end-user. A warranty period of Five (5) years on all parts to the original registered end user. Warranty applies only to products remaining in their original installation location.

Heating/ Cooling	Outdoor Dry Bulb	Indoor Dry Bulb	Unit	Min	Rated	Max
Heating	5°F	70°F	Btu/h	4,391	-	15,603
			kW	0.83	-	2.61
			COP	1.55	-	1.75
	17°F	70°F	Btu/h	5,766	15,300	19,036
			kW	0.87	1.66	2.53
			COP	1.94	2.7	2.21
	47°F	70°F	Btu/h	11,543	25,000	29,742
			kW	0.81	1.96	2.66
			COP	4.18	3.74	3.28
Cooling	82°F	80°F	Btu/h	13,938	-	21,472
			kW	0.63	-	1.15
			COP	6.48	-	5.47
	95°F	80°F	Btu/h	12,208	24,000	27,513
			kW	0.78	1.75	2.32
			COP	4.59	4.02	3.48

INDOOR SPECIFICATION

Air Flow (Hi/Mi/Lo)	695/624/485 CFM
Noise Level (Hi/Mi/Lo)	51.7/44.5/ 35.1 dB(A)
Unit Dimension (WxDxH)	46.69x10.16x13.39 in
Net/Gross Weight	39.9/53.6 lb

OUTDOOR SPECIFICATION

Air flow	2237 CFM
Noise Level	61 dB(A)
Dimension (WxDxH)	37.24x16.14x31.89 in
Net/Gross weight	136.69/148.59 lb
Refrigerant type/Quantity	R410A/82.9 oz
Refrigerant precharge	25 ft
Additional charge for each ft	0.32 oz

PERFORMANCE AND EFFICIENCY

Cooling		Heating	
24,000 Btu/h		25,000 Btu/h	
SEER	20.7	HSPF Region IV	11.5
EER	13.7		

OPERATION TEMPERATURE RANGE

Indoor		Outdoor	
cooling	heating	cooling	heating
62~90°F	32~86°F	-13~122°F	-13~86°F

ELECTRICAL

Power supply	208-230V/ 60Hz, 1Ph
MCA	18 A
MFA	25 A

MCA: Minimum Circuit Ampacity **MFA:** Max. fuse A

PIPING

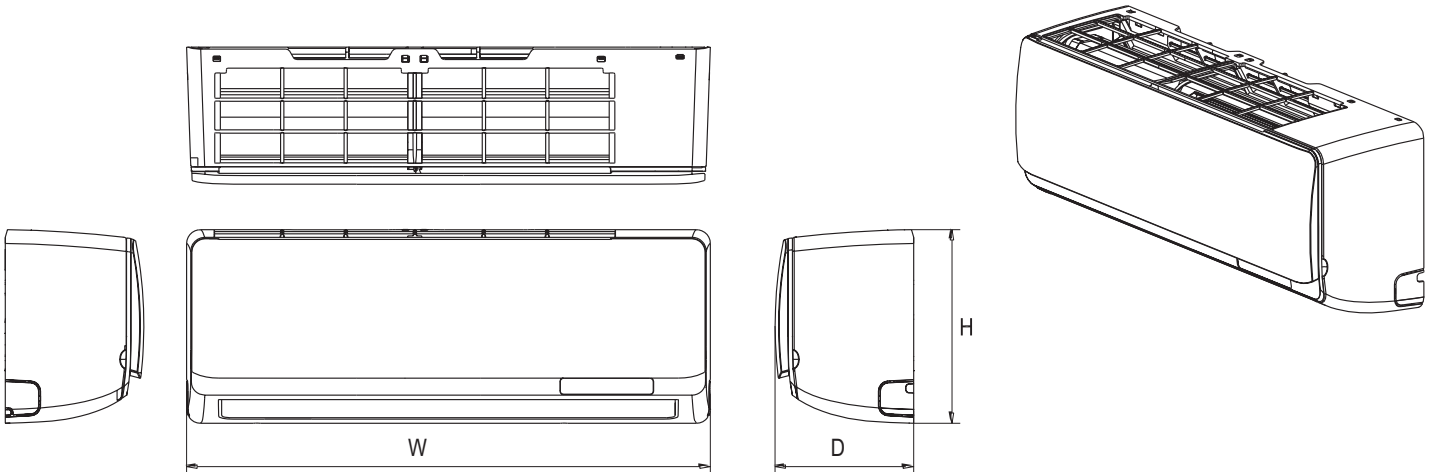
Refrigerant piping Liquid side/Gas side	3/8 - 5/8 in
Max. refrigerant pipe length	164 ft
Max. difference in level	82 ft

SUBMITTAL DATA SHEET

CH-D24MSPHWM-230VI

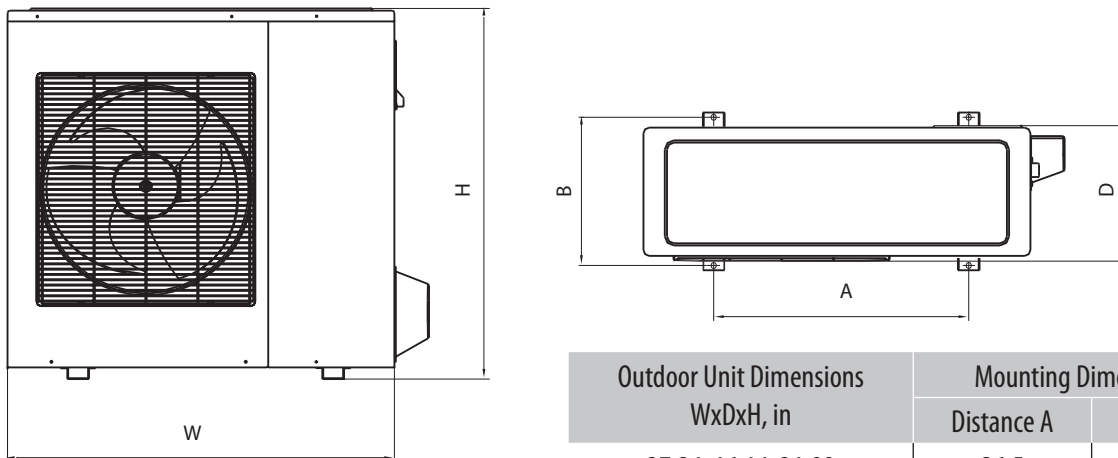
CH-24SPH-230VO

INDOOR UNIT



Indoor Unit Dimensions, in		
W	D	H
46.69	10.16	13.39

OUTDOOR UNIT



Outdoor Unit Dimensions WxDxH, in	Mounting Dimensions, in	
	Distance A	Distance B
37.24x16.14x31.89	26.5	15.87