

SUBMITTAL DATA SHEET	CH-D18MSPHWM-230VI	CH-18SPH-230VO
-----------------------------	---------------------------	-----------------------

Job Name:
 Location:
 Engineer:
 Submitted to:
 Submitted by:
 Reference:

Date:
 Approval:
 Construction:
 Unit #:
 Drawing #:



This warranty should be registered on our web-site www.cooperandhunter.us within 60 days of installation. The warranty is only valid when installed by a Licensed HVAC Technician. A warranty period of Seven (7) years on compressor to the original registered end-user. A warranty period of Five (5) years on all parts to the original registered end user. Warranty applies only to products remaining in their original installation location.

Heating/ Cooling	Outdoor Dry Bulb	Indoor Dry Bulb	Unit	Min	Rated	Max
Heating	5°F	70°F	Btu/h	2,094	-	11,178
			kW	0.48	-	1.62
			COP	1.28	-	2.02
	17°F	70°F	Btu/h	3,095	11,400	14,016
			kW	0.52	1.23	1.65
			COP	1.74	2.72	2.49
	47°F	70°F	Btu/h	6,152	18,000	19,592
			kW	0.51	1.59	1.71
			COP	3.54	3.32	3.36
Cooling	82°F	80°F	Btu/h	7,820	-	15,873
			kW	0.34	-	0.95
			COP	6.74	-	4.9
	95°F	80°F	Btu/h	6,991	18,000	18,002
			kW	0.47	1.39	1.51
			COP	4.36	3.8	3.49

INDOOR SPECIFICATION

Air Flow (Hi/Mi/Lo)	530/410/295 CFM
Noise Level (Hi/Mi/Lo)	46.2/36.3/30.9 dB(A)
Unit Dimension (WxDxH)	38.98x8.58x12.40 in
Net/Gross Weight	26.89/34.83 lb

OUTDOOR SPECIFICATION

Air flow	1470 CFM
Noise Level	60 dB(A)
Dimension (WxDxH)	33.27x14.29x27.64 in
Net/Gross weight	101.0/108.2 lb
Refrigerant type/Quantity	R410A/68.8oz
Refrigerant precharge	25 ft
Additional charge for each ft	0.16 oz

PERFORMANCE AND EFFICIENCY

Cooling		Heating	
18,000 Btu/h		18,000 Btu/h	
SEER	21	HSPF Region IV	10.4
EER	13		

OPERATION TEMPERATURE RANGE

Indoor		Outdoor	
cooling	heating	cooling	heating
62~90°F	32~86°F	-13~122°F	-13~86°F

ELECTRICAL

Power supply	208-230V/ 60Hz, 1Ph
MCA	15 A
MFA	20 A

MCA: Minimum Circuit Ampacity **MFA:** Max. fuse A

PIPING

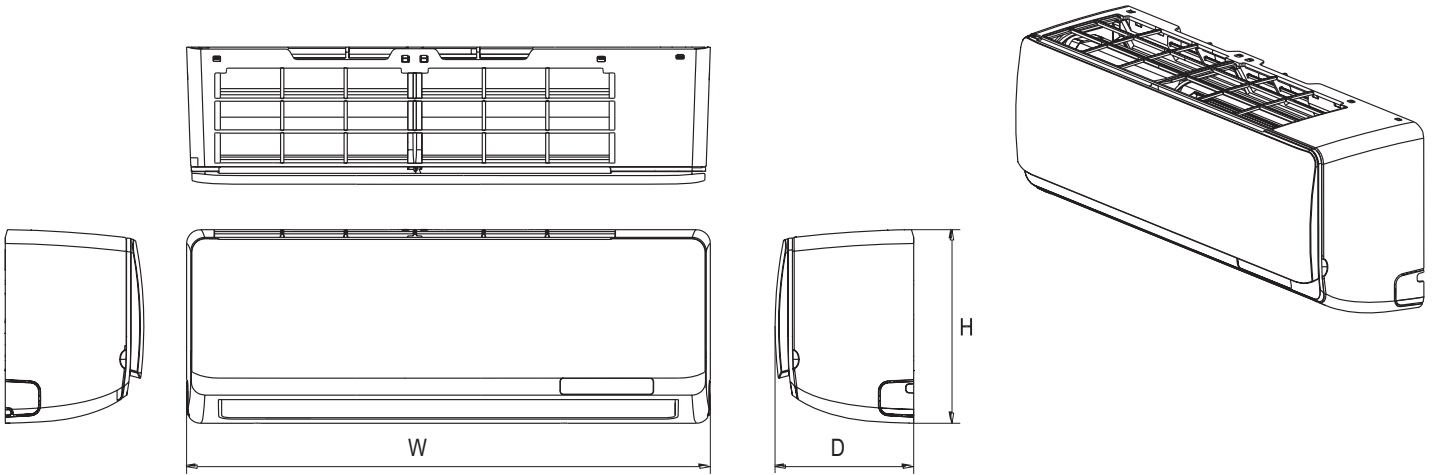
Refrigerant piping Liquid side/Gas side	1/4 - 1/2 in
Max. refrigerant pipe length	98 ft
Max. difference in level	66 ft

SUBMITTAL DATA SHEET

CH-D18MSPHWM-230VI

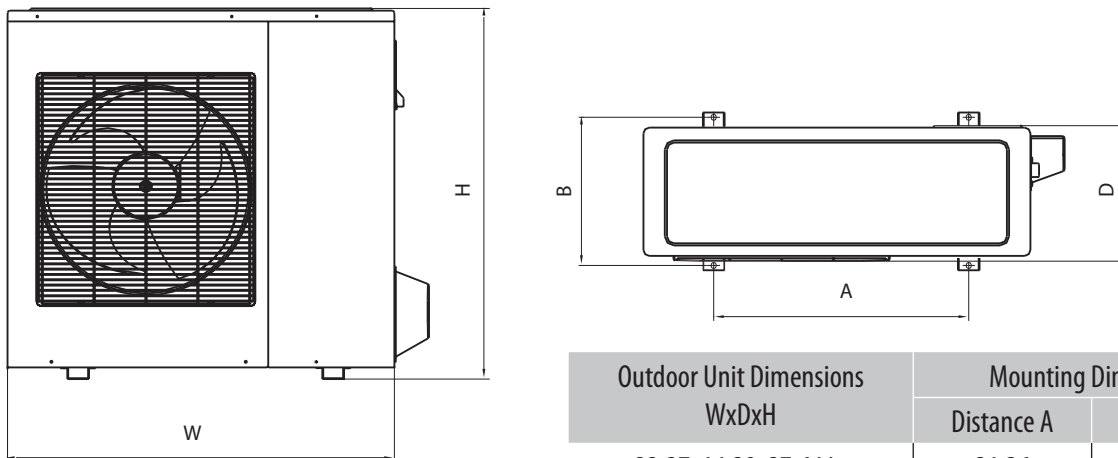
CH-18SPH-230VO

INDOOR UNIT



Indoor Unit Dimensions in		
W	D	H
38.98	8.58	12.40

OUTDOOR UNIT



Outdoor Unit Dimensions WxDxH	Mounting Dimensions	
	Distance A	Distance B
33.27x14.29x27.64 in	21.26	13.8