

SUBMITTAL DATA SHEET

CH-M24DTUI

Job Name:
 Location:
 Engineer:
 Submitted to:
 Submitted by:
 Reference:

Date:
 Approval:
 Construction:
 Unit #:
 Drawing #:



PERFORMANCE AND EFFICIENCY

Cooling		Heating	
24,000 Btu/h		24,400 Btu/h	
SEER	21.5	COP	3.52
EER	12.5	HSPF4/ HSPF5	11/9.5

OPERATION TEMPERATURE RANGE

Cooling	Heating
62~90°F	32~86°F

ELECTRICAL

Power supply	208-230V/ 60Hz, 1Ph
MCA	18
MFA	25
Fan motor	
Input	90 W
RLA	1.5 A

MCA: Minimum Circuit Ampacity **MFA:** Max. fuse A **RLA:** Rated Load

PIPING

Refrigerant piping Liquid side/Gas side	3/8 - 5/8 in
---	--------------



This warranty should be registered on our web-site www.cooperandhunter.us within 60 days of installation. The warranty is only valid when installed by a Licensed HVAC Technician. A warranty period of Seven (7) years on compressor to the original registered end-user. A warranty period of Five (5) years on all parts to the original registered end user. Warranty applies only to products remaining in their original installation location.

FUTURES

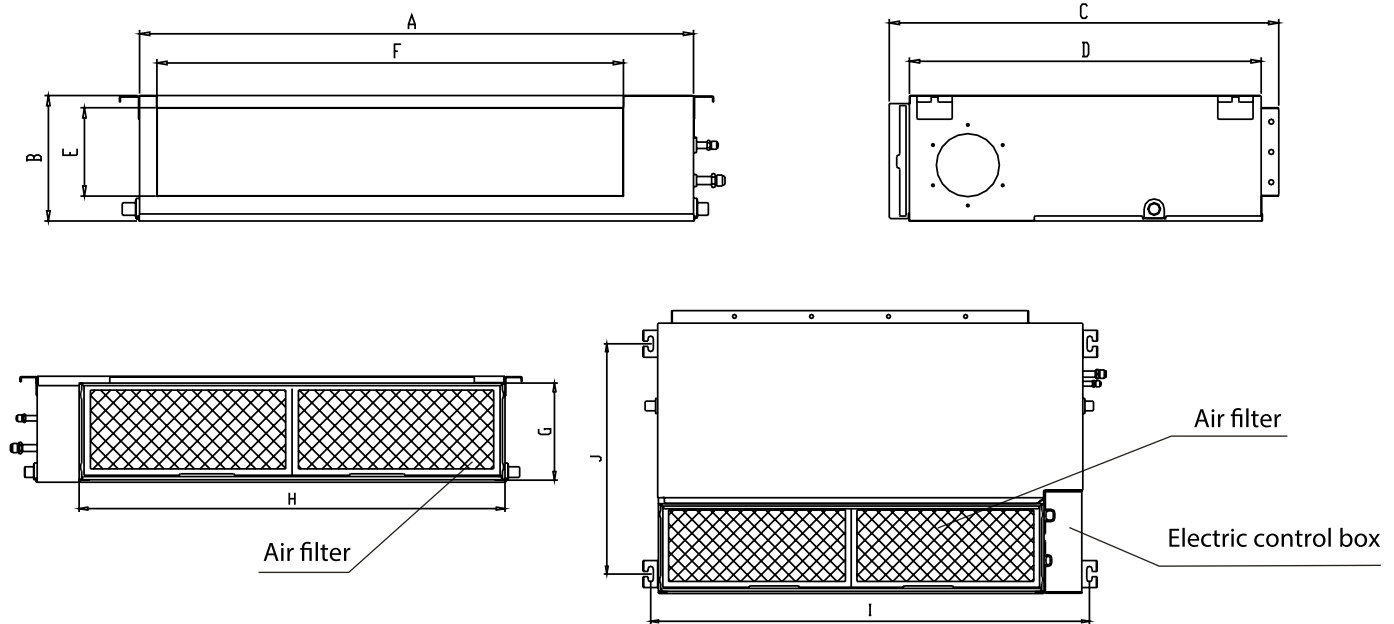
- Flexible Installation
- Fresh Air Function
- Wired Control
- Multi-Channel Air Distribution
- Built-In Water Pump
- Golden fin for outdoor and indoor
- Lower Noise
- Higher Pipe Limits
- Slim Design

UNIT SPECIFICATION

Air Flow (Hi/Mi/Lo)	776/694/435 CFM
Noise Level (Hi/Mi/Lo)	44/41/38 dB(A)
Unit Dimension(W*D*H)	43.31x30.47x9.8 in
Net/Gross Weight	86.86/102.95 lb

SUBMITTAL DATA SHEET

CH-M24DTUI



Outline dimension				air outlet opening size		air return opening size		Size of mounted lug	
A	B	C	D	E	F	G	H	I	J
43.31	9.8	30.47	27.6	6.9	36.5	8.9	39.4	44,9	23.5