

SUBMITTAL DATA SHEET

CH-M12DTUI

Job Name:
 Location:
 Engineer:
 Submitted to:
 Submitted by:
 Reference:

Date:
 Approval:
 Construction:
 Unit #:
 Drawing #:



PERFORMANCE AND EFFICIENCY

Cooling		Heating	
12,000 Btu/h		12,000 Btu/h	
SEER	21.5	COP	3.29
EER	12.5	HSPF4/ HSPF5	11.5/9

OPERATION TEMPERATURE RANGE

Cooling	Heating
62~90°F	32~86°F


ELECTRICAL

Power supply	208-230V/ 60Hz, 1Ph
MCA	12
MFA	15
Fan motor	
Input	130 W
RLA	1.11 A

MCA: Minimum Circuit Ampacity **MFA:** Max. fuse A **RLA:** Rated Load

PIPING

Refrigerant piping Liquid side/Gas side	1/4 - 1/2 in
---	--------------



This warranty should be registered on our web-site www.cooperandhunter.us within 60 days of installation. The warranty is only valid when installed by a Licensed HVAC Technician. A warranty period of Seven (7) years on compressor to the original registered end-user. A warranty period of Five (5) years on all parts to the original registered end user. Warranty applies only to products remaining in their original installation location.

FUTURES

- Flexible Installation
- Fresh Air Function
- Wired Control
- Multi-Channel Air Distribution
- Built-In Water Pump
- Golden fin for outdoor and indoor
- Lower Noise
- Higher Pipe Limits
- Slim Design

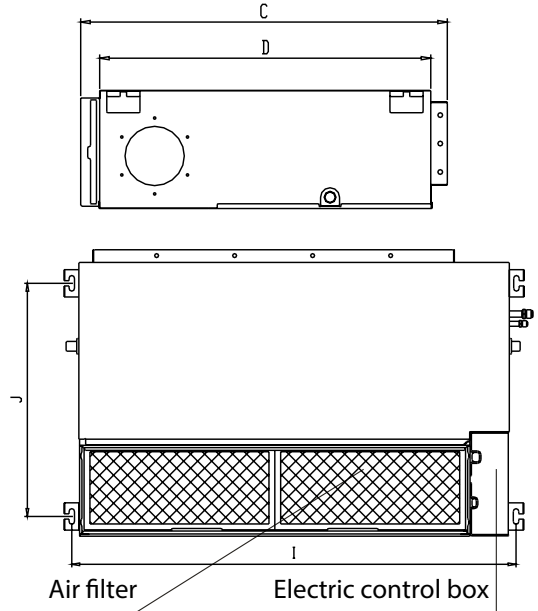
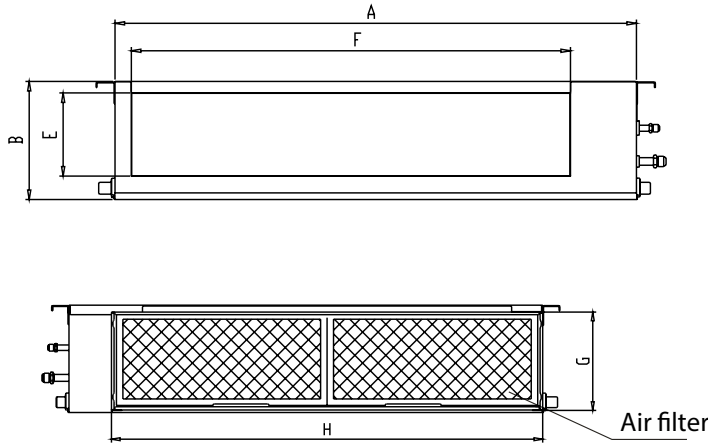
UNIT SPECIFICATION

Air Flow (Hi/Mi/Lo)	353/283/177
Noise Level (Hi/Mi/Lo)	38/36/33.5 dB(A)
Unit Dimension(W*D*H)	27.56x17.72x7.87 in
Net/Gross Weight	37.5/48.3lb

SUBMITTAL DATA SHEET

CH-M12DTUI

INDOOR UNIT



Model (BTU/h)	Outline dimension				air outlet opening size		air return opening size		Size of mounted lug	
	A	B	C	D	E	F	G	H	I	J
CH-M09DTUI	27.56	7.87	19.9	17.72	6	21.1	7.3	23.6	29.2	14.2