

| | | |
|-----------------------------|---------------------------|-------------------------|
| SUBMITTAL DATA SHEET | CH-D12MSPHWM-230VI | CH-HYP12SPH230VO |
|-----------------------------|---------------------------|-------------------------|

Job Name:
 Location:
 Engineer:
 Submitted to:
 Submitted by:
 Reference:

Date:
 Approval:
 Construction:
 Unit #:
 Drawing #:



This warranty should be registered on our web-site www.cooperandhunter.us within 60 days of installation. The warranty is only valid when installed by a Licensed HVAC Technician. A warranty period of Seven (7) years on compressor to the original registered end-user. A warranty period of Five (5) years on all parts to the original registered end user. Warranty applies only to products remaining in their original installation location.

| Heating/ Cooling | Outdoor Dry Bulb | Indoor Dry Bulb | Unit | Min | Rated | Max |
|---------------------|---------------------|--------------------|-------|-------|--------|--------|
| Heating | 5°F | 70°F | Btu/h | 3,102 | - | 12,038 |
| | | | kW | 0.58 | - | 1.97 |
| | | | COP | 1.57 | - | 1.79 |
| | 17°F | 70°F | Btu/h | 1,098 | 7,800 | 12,259 |
| | | | kW | 0.21 | 0.87 | 1.83 |
| | | | COP | 1.53 | 2.63 | 1.96 |
| | 47°F | 70°F | Btu/h | 2,303 | 12,000 | 15,702 |
| | | | kW | 0.2 | 0.99 | 1.45 |
| | | | COP | 3.37 | 3.55 | 3.17 |
| Cooling | 82°F | 80°F | Btu/h | 3,477 | - | 7,087 |
| | | | kW | 0.17 | - | 0.39 |
| | | | COP | 5.99 | - | 5.33 |
| | 95°F | 80°F | Btu/h | 2,783 | 12,000 | 14,068 |
| | | | kW | 0.21 | 0.92 | 1.39 |
| | | | COP | 3.88 | 3.82 | 2.97 |

INDOOR SPECIFICATION

| | |
|------------------------|----------------------|
| Air Flow (Hi/Mi/Lo) | 371/274/198 CFM |
| Noise Level (Hi/Mi/Lo) | 45.1/35.8/28.6 dB(A) |
| Unit Dimension (WxDxH) | 32.87x7.80x11.02 in |
| Net/Gross Weight | 19.84/26.68 lb |

OUTDOOR SPECIFICATION

| | |
|-------------------------------|----------------------|
| Air flow | 1177 CFM |
| Noise Level | 56 dB(A) |
| Dimension (WxDxH) | 31.50x13.11x21.81 in |
| Net/Gross weight | 88.2/93.7 lb |
| Refrigerant type/Quantity | R410A/38.8 oz |
| Refrigerant precharge | 25 ft |
| Additional charge for each ft | 0.16 oz |

PERFORMANCE AND EFFICIENCY

| Cooling | | Heating | |
|--------------|------|--------------|--------|
| 12,000 Btu/h | | 12,000 Btu/h | |
| SEER | 22.5 | HSPF4/HSPF5 | 12/9.9 |
| EER | 13 | COP | 3.55 |

OPERATION TEMPERATURE RANGE

| Indoor | | Outdoor | |
|---------|---------|-----------|----------|
| cooling | heating | cooling | heating |
| 62~90°F | 32~86°F | -22~122°F | -22~86°F |

ELECTRICAL

| | |
|--------------|---------------------|
| Power supply | 208-230V/ 60Hz, 1Ph |
| MCA | 9 A |
| MFA | 15 A |

MCA: Minimum Circuit Ampacity **MFA:** Max. fuse A

PIPING

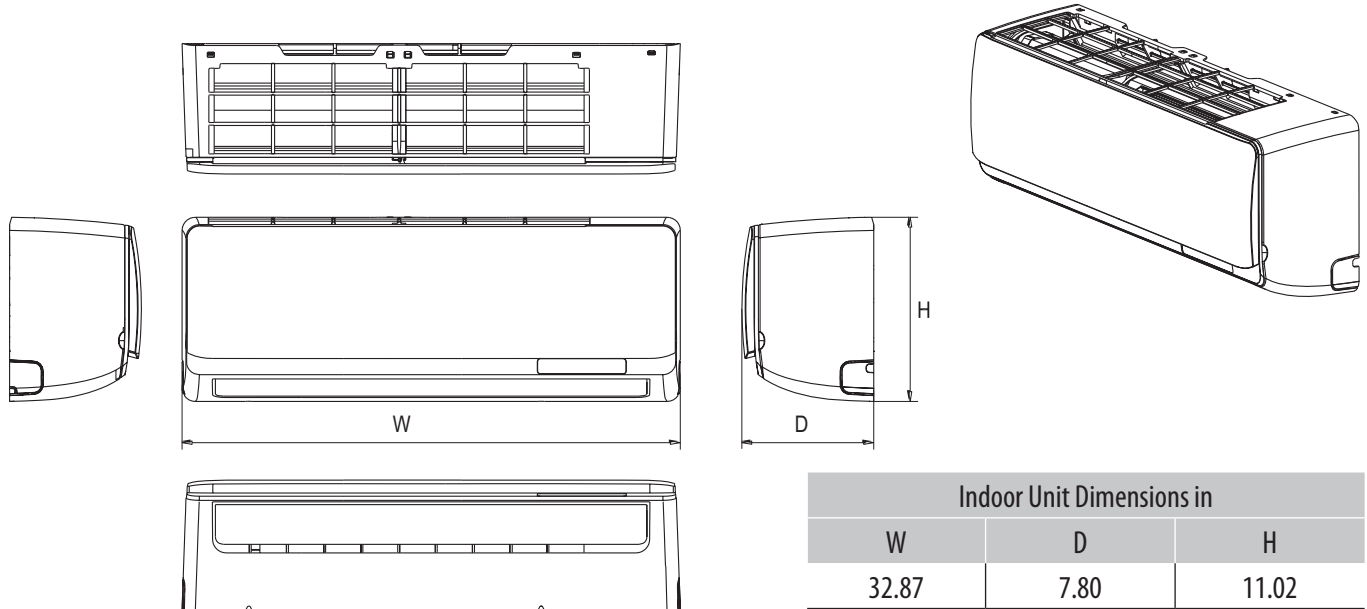
| | |
|---|--------------|
| Refrigerant piping Liquid side/Gas side | 1/4 - 1/2 in |
| Max. refrigerant pipe length | 82 ft |
| Max. difference in level | 33 ft |

SUBMITTAL DATA SHEET

CH-12MSPHWM-230VI

CH-HYP12SPH230VO

INDOOR UNIT



OUTDOOR UNIT

